

Fire and Smoke Spring Return Actuator FSAF24A(-S)



- Meet requirement of UL555(S) when tested as an assembly with suitable dampers
- Torque: 20Nm @ 177°C(350°F) for 30 minutes
- Running time: motor 25s, spring return 15s
- Control: Open/Close



Technical data

Electrical data	Nominal voltage	AC 24V 50/60Hz, DC 24V*	
	Nominal voltage range	AC 21.6...26.4V, DC 24...36V*	
	Power consumption	23W, 32VA @ running / 6.5W, 11VA @ holding	
	For transformer sizing	10VA	
	Connection	-Motor: 1m, 18ga, 2 colour coded leads -Auxiliary Switch: FSAF24A-S: 1m, 18ga, 4 appliance leads 1/2" conduit connector	
Functional data	Torque	20Nm (0°C to 177°C) minimum @ nominal voltage	
	Direction of rotation	Selectable by CW/CCW installation	
	Angle of rotation	Max. 95°	
	Auxiliary switch	-FSAF24A-S: 2 SPDT, 7(2.5)A @ AC 120/250V \square at 5°↙ and 85°↘	
	Running time	-Motor: 25s at rated voltage and torque -Spring Return: <15s	
	Sound power level	Motor max. 45dB(A) / spring return 62dB(A)	
	Position indicator	Mechanical	
Safety	Protection class	Class 2 supply	
	Degree of protection	IP40 / NEMA type 1 with conduit connection	
	Agency listed	cULus listed to UL60730-1A:02; UL 60730-2-14:02 and CAN/CSA-E60730-1:02; Listed to UL 2043 - suitable for use in air plenums per Section 300.22(C) of the NEC and Section 602 of the IMC	
	Ambient temperature	-Normal Duty: 0...+50°C -Safety Duty: 3 Open/Close cycles after 1/2hr @177°C	
	Storage temperature	-40...+80°C	
	Humidity test	5...95% RH, non-condensing (EN 60730-1)	
	Maintenance	Maintenance-free	
	Dimensions / weight	Dimensions (L x M x H)	259.45 x 98 x 87.25mm
		Shaft diameter	12.7...20mm (10...20mm optional)
		Weight	-FSAF24A: Approx. 2.5kg -FSAF24A-S: Approx. 2.7kg
Safety note		AC 24V: Connect via safety isolating transformer, class 2 supply	

* Filtered and regulated DC 24V power supplies is needed.

Dimensions [mm/inches]

Standard:

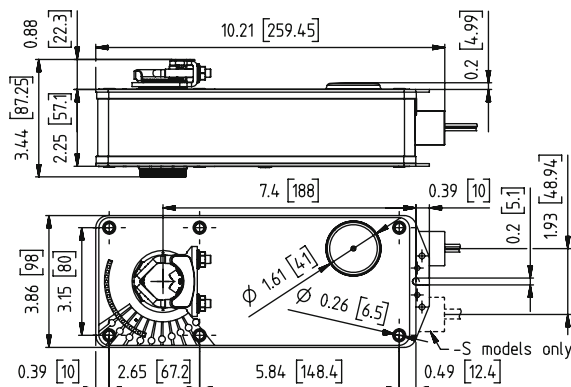
Ø 1/2" to 1.05"

Optional*

Ø 3/8" to 3/4"

□ 3/8" to 5/8"

*with K4 US clamp



- Meet requirement of UL555(S) when tested as an assembly with suitable dampers
- Torque: **20Nm @ 177°C(350°F) for 30 minutes**
- Running time: **motor 25s, spring return 15s**
- Control: **Open/Close**



Technical data

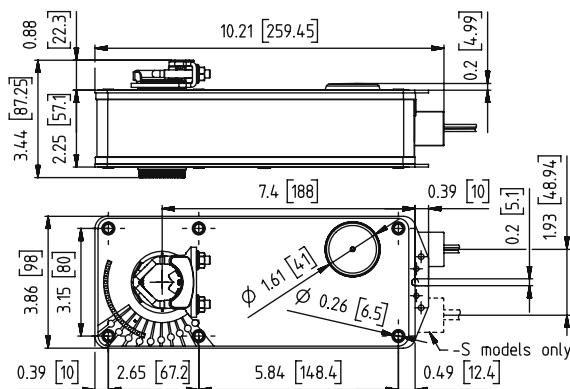
Electrical data	Nominal voltage	AC 120V 50/60Hz
	Nominal voltage range	AC 108...132V
	Power consumption	28W,38VA @ running / 10W,24 VA @ holding
	Connection	-Motor 1m, 18ga, 2 colour coded leads -Auxiliary Switch 1m, 18ga, 4 appliance leads 1/2" conduit connector
Functional data	Torque	20Nm (0°C to 177°C) @ nominal voltage
	Direction of rotation	Selectable by CW/CCW installation
	Angle of rotation	Max. 95°
	Auxiliary switch	-FSAF120A-S 2 SPDT, 7(2.5)A @ AC 120/250V <input type="checkbox"/> at 5°↙ and 85°↘
	Running time	-Motor 25s at rated voltage and torque -Spring Return <15s
	Sound power level	Motor max. 45dB(A) / spring return 62dB(A)
	Position indicator	Mechanical
Safety	Protection class	Double insulated <input type="checkbox"/>
	Degree of protection	IP40 / NEMA type 1 with conduit connection
	Agency listed	cULus listed to UL60730-1A:02; UL 60730-2-14:02 and CAN/CSA-E60730-1:02; Listed to UL 2043 - suitable for use in air plenums per Section 300.22(C) of the NEC and Section 602 of the IMC
Dimensions / weight	Ambient temperature	-Normal Duty 0...+50°C -Safety Duty 3 Open/Close cycles after 1/2hr @177°C
	Storage temperature	-40...+80°C
	Humidity test	5...95% RH, non-condensing
	Maintenance	Maintenance-free
	Dimensions (L x M x H)	259.45 x 98 x 87.25mm
	Shaft diameter	12.7...20mm (10...20mm optional)
Weight	-FSAF120A	Approx. 2.95kg
	-FSAF120A-S	Approx. 3.15kg

Dimensions [mm/inches]

Standard:
 \varnothing 1/2" to 1.05"

Optional*
 \varnothing 3/8" to 3/4"
 3/8" to 5/8"

*with K4 US clamp



Fire and Smoke Spring Return Actuator FSAF230A(-S)



- Meet requirement of UL555(S) when tested as an assembly with suitable dampers
- Torque: 20Nm @ 177°C(350°F) for 30 minutes
- Running time: motor 25s, spring return 15s
- Control: Open/Close

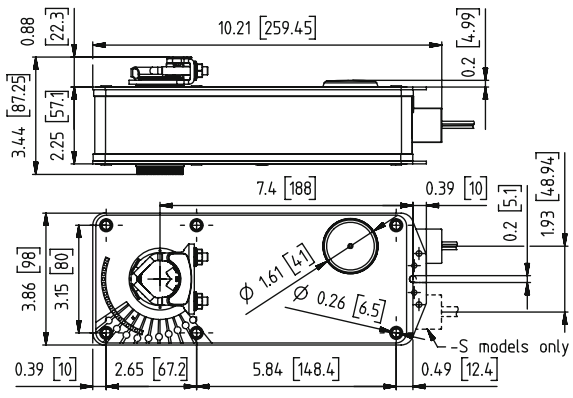


Technical data

Electrical data	Nominal voltage	AC 230V 50/60Hz
	Nominal voltage range	AC 207...253V
	Power consumption	29W,37VA @ running / 10W,19VA @ holding
	Connection	-Motor 1m, 18ga, 2 colour coded leads -Auxiliary Switch 1m, 18ga, 4 appliance leads 1/2" conduit connector
Functional data	Torque	20Nm (0°C to 177°C) @ nominal voltage
	Direction of rotation	Selectable by CW/CCW installation
	Angle of rotation	Max. 95°
	Auxiliary switch	-FSAF230A-S 2 SPDT, 7(2.5)A @ AC 120/250V \square at 5°↙ and 85°↘
	Running time	-Motor 25s at rated voltage and torque -Spring Return <15s
	Sound power level	Motor max. 45dB(A) / spring return 62dB(A)
	Position indicator	Mechanical
Safety	Protection class	Double insulated \square
	Degree of protection	IP40 / NEMA type 1 with conduit connection
	Agency listed	cULus listed to UL60730-1A:02; UL 60730-2-14:02 and CAN/CSA-E60730-1:02; Listed to UL 2043 - suitable for use in air plenums per Section 300.22(C) of the NEC and Section 602 of the IMC
	Ambient temperature	-Normal Duty 0...+50°C -Safety Duty 3 Open/Close cycles after 1/2hr @177°C
Dimensions / weight	Storage temperature	-40...+80°C
	Humidity test	5...95% RH, non-condensing
	Maintenance	Maintenance-free
	Dimensions (L x M x H)	259.45 x 98 x 87.25mm
	Shaft diameter	12.7...20mm (10...20mm optional)
	Weight	-FSAF230A Approx. 2.95kg -FSAF230A-S Approx. 3.15kg

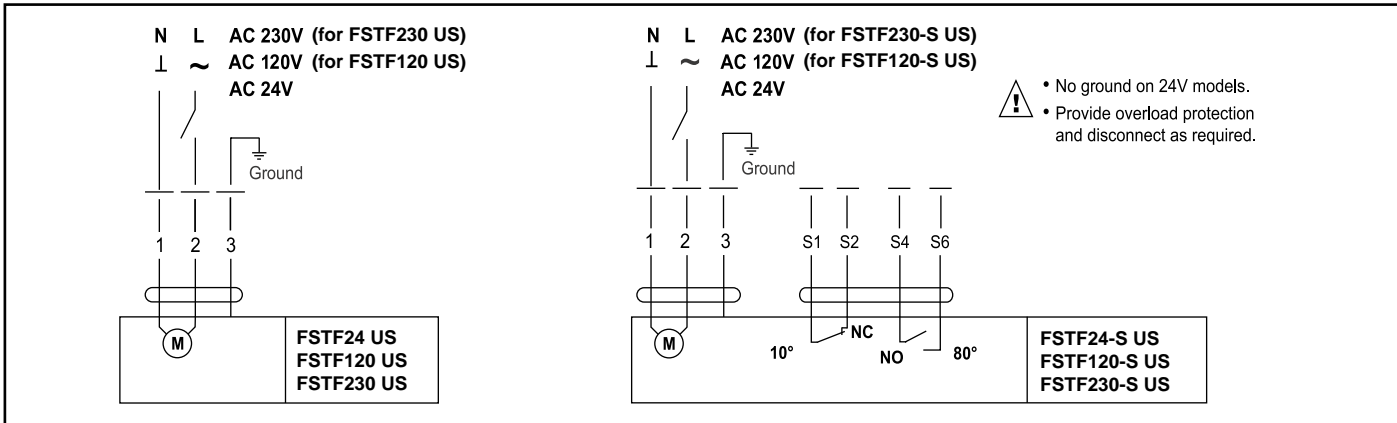
Dimensions [mm/inches]

- Standard:**
 \varnothing 1/2" to 1.05"
- Optional***
 \varnothing 3/8" to 3/4"
 \square 3/8" to 5/8"
- *with K4 US clamp

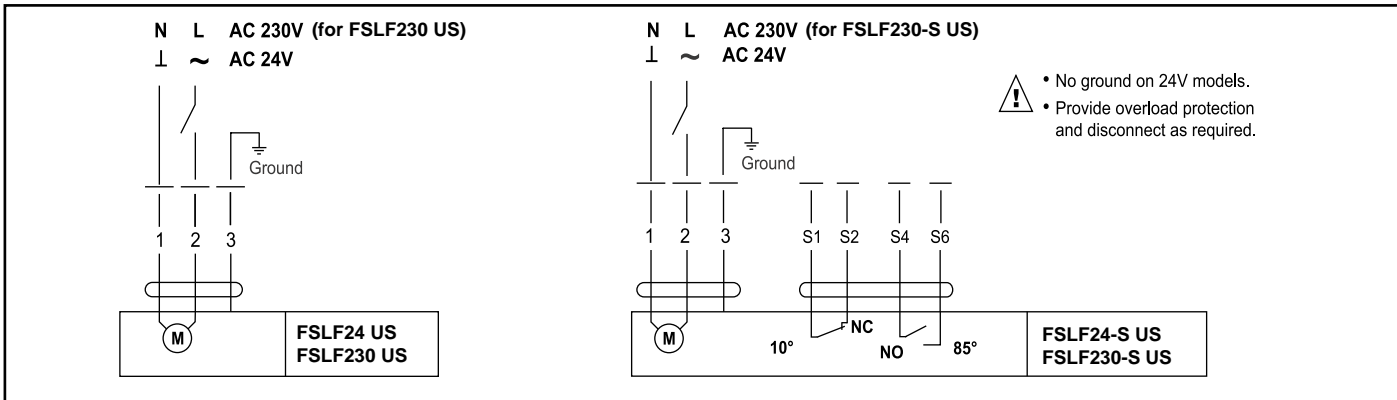


Wiring diagram: FS.. Series Fail-Safe Open/Close Actuators

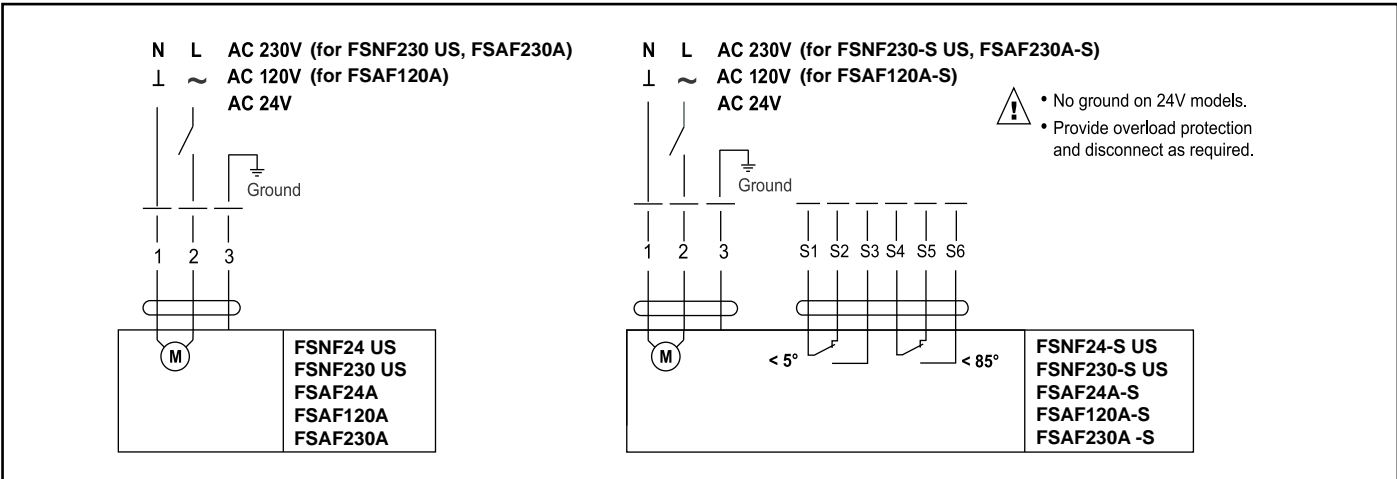
- Notes:**
- Parallel connection of several actuators is possible.
 - Power consumption must be observed.



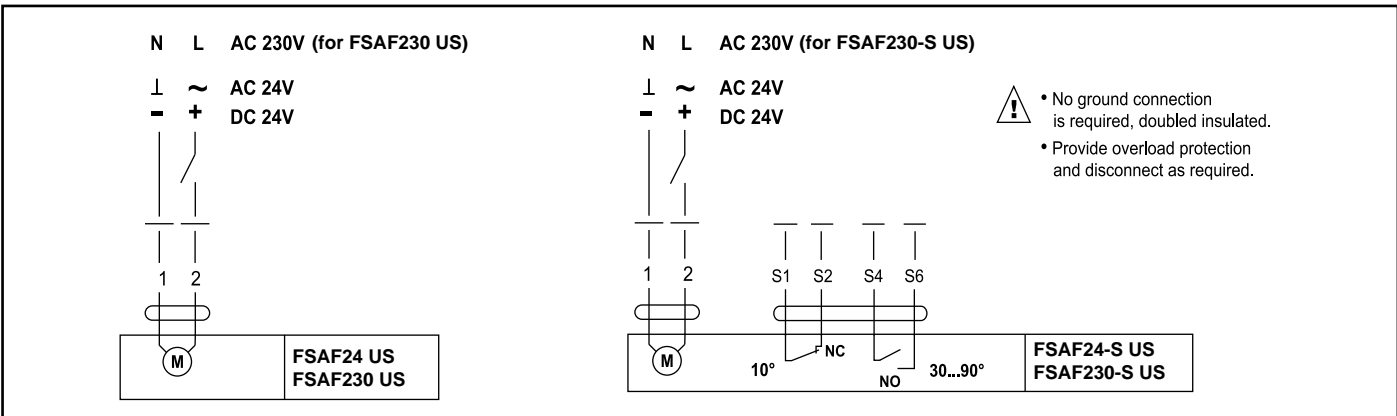
- ⚠
- No ground on 24V models.
 - Provide overload protection and disconnect as required.



- ⚠
- No ground on 24V models.
 - Provide overload protection and disconnect as required.



- ⚠
- No ground on 24V models.
 - Provide overload protection and disconnect as required.



- ⚠
- No ground connection is required, doubled insulated.
 - Provide overload protection and disconnect as required.