

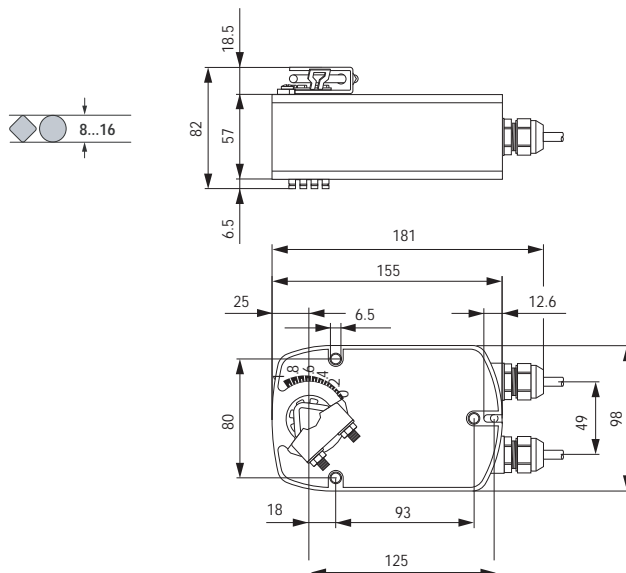
- For the operation of air dampers that perform safety function
- Torque: 4Nm
- Nominal voltage: AC/DC 24V
- Control: Open/Close
- Integrated auxiliary switch (LF24-S)



Technical data

Electrical data	Nominal voltage	AC 24V 50/60Hz, DC 24V
	Power supply range	AC 19.2...28.8V, DC 21.6...28.8V
	Power consumption	5W @ running / 2.5W @ holding
	Wire/transformer sizing	7VA
	Auxiliary switch LF24-S	1 SPDT, 1mA...3(0.5)A, AC 250V \square , adjustable
	Connection cable - Motor - Auxiliary switch LF24-S	Cable 1m, 2x0.75mm ² Cable 1m, 3x0.75mm ²
Functional data	Torque - Motor - Spring return	4Nm @ nominal voltage 4Nm
	Direction of rotation	Selectable by mounting L/R
	Angle of rotation	Max. 95°, 37...100%↔ adjustable by mechanical stops
	Running time - Motor - Spring return	40...75s (0...4Nm) Approximately 20s @ -20...50°C/max. 60s @ -30°C
	Sound power level	Motor max. 50dB(A), Spring approximately 62dB(A)
	Position indication	Mechanical
	Service life	> 60,000 full cycles
	Working conditions	Protection class
Degree of protection		IP54 in any direction
EMC		CE according to 2004/108/EC
Ambient temperature		-30...+50°C
Non-operation temperature		-40...+80°C
Humidity test		95% RH, non-condensing (EN 60730-1)
Maintenance		Maintenance-free
Dimensions / weight	Dimensions (LxWxH)	181x98x82mm
	Shaft length Clamp up Clamp down	Min. 84mm Min. 20mm
	Shaft diameter	\varnothing 8...16mm
	Weight	Approximately 1400g

Dimensions [mm]



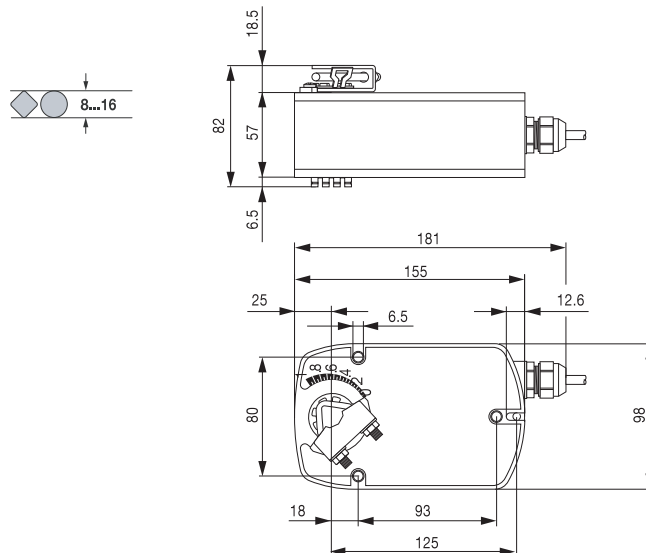
- For the operation of air dampers that perform safety function
- Torque: 4Nm
- Nominal voltage: AC/DC 24V
- Control: 3-point



Technical data

Electrical data	Nominal voltage	AC 24V 50/60Hz, DC 24V
	Nominal supply range	AC 19.2...28.8V, DC 21.6...28.8V
	Power consumption	2.5W @ running / 1W @ holding
	Wire/transformer sizing	5VA
	Connection cable	Cable 1m, 4x0.75mm ²
Functional data	Torque - Motor	4Nm @ nominal voltage
	- Spring return	4Nm
	Direction of rotation	Selectable by mounting L/R
	Angle of rotation	Max. 95°, 37...100% ↯ adjustable by mechanical stops
	Running time - Motor	150s
	- Spring return	Approximately 20s @ -20...50°C/max. 60s @ -30°C
	Sound power level	Motor max. 30dB(A), Spring approximately 62dB(A)
Working conditions	Position indication	Mechanical
	Service life	> 60,000 full cycles
	Protection class	III (safety extra-low voltage)
	Degree of protection	IP54 in any direction
	EMC	CE according to 2004/108/EC
	Ambient temperature	-30...+50°C
	Non-operation temperature	-40...+80°C
	Humidity test	95% RH, non-condensing (EN60730-1)
	Maintenance	Maintenance-free
	Dimensions / weight	Dimensions (LxWxH)
Shaft length		Clamp up Clamp down
		Min. 84mm Min. 20mm
Shaft diameter		8...16mm
Weight		Approximately 1400g

Dimensions [mm]



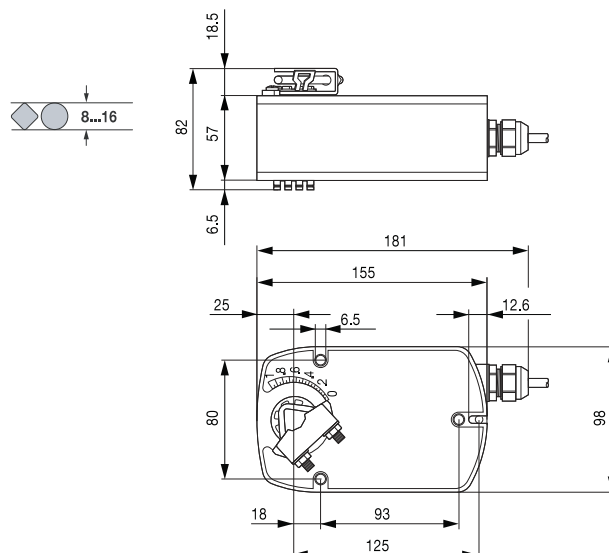
- For the operation of air dampers that perform safety function
- Torque: 4Nm
- Nominal voltage: AC/DC 24V
- Control signal: DC 2(0)...10V
- Position feedback: DC 2...10V



Technical data

Electrical data	Nominal voltage	AC 24V 50/60Hz, DC 24V
	Power supply range	AC 19.2...28.8V, DC 21.6...28.8V
	Power consumption	2.5W @ running / 1W @ holding
	Wire/transformer sizing	5VA
	Connection cable	Cable 1m, 4x0.75mm ²
Functional data	Torque - Motor	4Nm @ nominal voltage
	- Spring return	4Nm
	Control signal	DC 2(0)...10V, (input impedance 100kΩ)
	Feedback signal	DC 2...10V
	Direction of rotation - Motor	Selectable by L/R switch
	- Spring return	Selectable by L/R mounting
	Angle of rotation - Spring return	Max. 95°, 37...100% ↯ adjustable by mechanical stops
	Running time - Motor	150s
	- Spring return	Approximately 20s @ -20...50°C/max. 60s @ -30°C
	Sound power level	Motor max. 30dB(A), Spring approximately 62dB(A)
Working conditions	Position indication	Mechanical
	Service life	> 60,000 full cycles
	Protection class	III (safety extra-low voltage)
	Degree of protection	IP54 in any direction
	EMC	CE according to 2004/108/EC
	Ambient temperature	-30...+50°C
	Non-operation temperature	-40...+80°C
	Humidity test	95% RH, non-condensing (EN60730-1)
	Maintenance	Maintenance-free
	Dimensions / weight	Dimensions (LxWxH)
Shaft length Clamp up		Min. 84mm
Clamp down		Min. 20mm
Shaft diameter		⌀ 8...16mm
Weight		Approximately 1400g

Dimensions [mm]



- For the operation of air dampers that perform safety function
- Torque: 4Nm
- Nominal voltage: AC 230V
- Control: Open/Close
- Integrated auxiliary switch (LF230-S)



Technical data

Electrical data	Nominal voltage	AC 230V 50/60Hz	
	Nominal supply range	AC 198...264V	
	Power consumption	5W @ running / 3W @ holding	
	Wire/transformer sizing	7VA	
	Auxiliary switch LF230-S	1 SPDT, 1mA...3(0.5)A, AC 250V <input type="checkbox"/> , adjustable	
	Connection cable - Motor	Cable 1m, 2x0.75mm ²	
	- Auxiliary switch LF230-S	Cable 1m, 3x0.75mm ²	
Functional data	Torque - Motor	4Nm @ nominal voltage	
	- Spring return	4Nm	
	Direction of rotation	Selectable by mounting L/R	
	Angle of rotation	Max. 95°, 37...100% \leftarrow adjustable by mechanical stops	
	Running time - Motor	40...75s (0...4Nm)	
	- Spring return	Approximately 20s @ -20...50°C/max. 60s @ -30°C	
	Sound power level	Motor max. 50dB(A), Spring approximately 62dB(A)	
	Position indication	Mechanical	
Working conditions	Service life	> 60,000 full cycles	
	Protection class	II (totally insulated) <input type="checkbox"/>	
	Degree of protection	IP54 in any direction	
	EMC	CE according to 2004/108/EC	
	Low voltage directive	CE according to 2006/95/EC	
	Ambient temperature	-30...+50°C	
	Non-operation temperature	-40...+80°C	
	Humidity test	95% RH, non-condensing (EN60730-1)	
	Maintenance	Maintenance-free	
	Dimensions / weight	Dimensions (LxWxH)	181x98x82mm
Shaft length		Clamp up	Min. 84mm
		Clamp down	Min. 20mm
Shaft diameter		\varnothing I \diamond 8...16mm	
Weight		Approximately 1550g	

Dimensions [mm]

